



**ROCKY MOUNTAIN  
ELEVATOR**

**PRODUCTS**

**LIVE LIFE ELEVATED**

**Elevations Residential Elevator  
Builders Series**



**From Ordinary to *Extraordinary***



OUR BUILDERS SERIES IS DESIGNED FOR BEAUTY ON A BUDGET. FROM BASIC CABS MADE WITH QUALITY ENGINEERED WOODS, TO OUR HAND CRAFTED HARDWOODS. OUR SELECTION OF STANDARD FIXTURES AND UPGRADES ARE UNMATCHED IN THE HOME ELEVATOR INDUSTRY.

AT ROCKY MOUNTAIN ELEVATOR PRODUCTS LLC IT IS OUR MISSION TO IMPROVE SAFETY AND CUSTOMER EXPERIENCE BY PROVIDING A SUPERIOR LEVEL OF DESIGN AND INNOVATION. WE ASPIRE TO CREATE INDUSTRY-WIDE CHANGE BY SETTING A HIGHER LEVEL OF EXCELLENCE AND ALWAYS EXCEEDING CUSTOMER EXPECTATIONS.



# LAMINATES AND VENEERS

BEAUTIFUL AND DURABLE; QUALITY AT AN AFFORDABLE PRICE. UPGRADE HARDWARE AND LIGHTS FOR A CUSTOM LOOK.



## LAMINATES

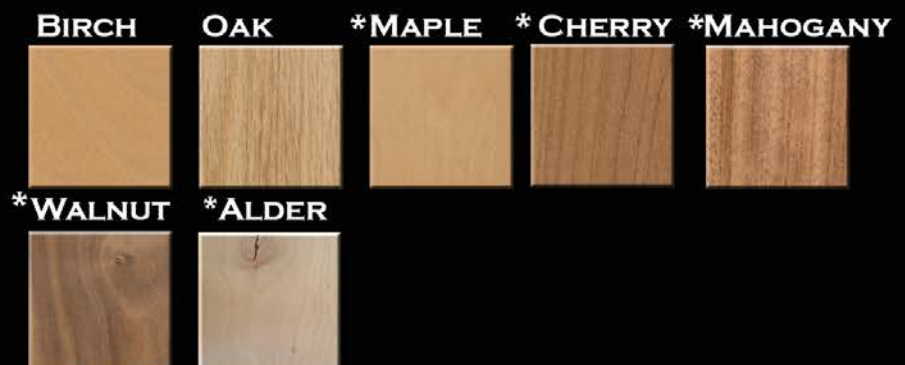
ENGINEERED WOOD WITH LAMINATE FINISH TO MATCH YOUR HOME DECOR. TEN STANDARD FINISHES TO CHOOSE FROM TO MATCH YOUR STYLE AND TASTE. UPGRADE THE LIGHTS AND CEILING TO CUSTOMIZE YOUR CAB'S PERSONALITY TO FIT YOURS.



## HARDWOOD VENEERS

UNFINISHED PLYWOOD VENEERS ADD THE LOOK OF HARDWOOD TO YOUR CAB. STAINABLE TO MATCH YOUR EXISTING HOME. BIRCH AND OAK ARE STANDARD.

\* DENOTES AN UPGRADE.





# HARDWOODS

SHAKER

RAISED PANEL

RECESSED PANEL



STANDARD TWO LIGHT SHOWN



SINGLE-TRAY LIGHT UPGRADE



FOUR-TRAY LIGHT UPGRADE

**NOTHING BEATS HARDWOOD IN BEAUTY, QUALITY AND DURABILITY.**

UPGRADE TO HARDWOOD AND HAVE THE SAME DURABILITY AND BEAUTY THAT YOU HAVE PUT INTO YOUR HOME. STYLE AND QUALITY THAT REFLECT WHERE YOU LIVE AND HOW YOU LIVE:

SHAKER; SIMPLE AND BEAUTIFUL.

RECESSED; THE DISTINCTIVE CROWN MOULDING FRAMES BEAUTIFUL PANELS OF NATURAL WOOD GRAIN.

RAISED; THE VICTORIAN CLASSIC RAISED PANELS SAY STYLE AND QUALITY.

ALL OF OUR CABS ARE HANDMADE FROM RAW LUMBER AND ARE ASSEMBLED AND FINISHED AT THE FACTORY BEFORE BEING DIS-ASSEMBLED FOR SHIPPING TO ENSURE FIT AND FINISH.

## STAINS SHOWN ON RED OAK

CLEAR    AMERICAN NATURAL    GOLDEN



## STAINS SHOWN ON BIRCH

CLEAR    AMERICAN NATURAL    GOLDEN



## HARDWOOD UPGRADES

WALNUT    ALDER    MAPLE    CHERRY    MAHOGANY



# FIXTURE UPGRADES

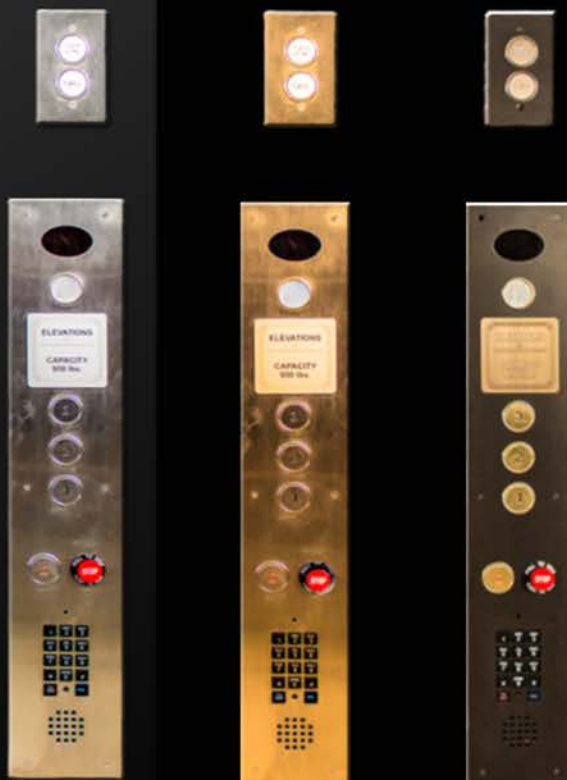
LIMIT THE USE OR ACCESS TO FLOORS WITH A DIGITAL KEYPAD OR PHYSICAL KEYS. AVAILABLE IN STAINLESS, BRUSHED BRASS, AND OIL RUBBED BRONZE\*.



\*KEYPAD NOT AVAILABLE IN OIL RUBBED BRONZE, BLACK IS SHOWN.



CAR OPERATOR PANELS (COP) IN STAINLESS STEEL, BRUSHED BRASS, AND OIL RUBBED BRONZE.



STANDARD  
FIXTURE  
PACKAGE  
SHOWN.



HALL STATION POSITION INDICATOR SHOWS WHAT FLOOR THE ELEVATOR IS ON AT A GLANCE.



# WRAP AROUND GATES

**A ROCKY MOUNTAIN ELEVATOR PRODUCTS EXCLUSIVE!  
YOU NO LONGER HAVE TO DEAL WITH ACCORDIAN GATES. OUR STURDY  
LOW PROFILE WRAP AROUND GATE PROVIDES SOLID PERFORMANCE,  
GREAT LOOKS AND ADDS SAFETY TO YOUR HOME ELEVATOR**

\*VALANCE SHOWN COVERING HARDWARE



\*SHOWN WITH RMEP OPERATOR

**CHILD SAFETY IS IMPROVED  
BY OUR RIGID PANEL SYSTEM  
PROVIDING SUPERIOR SAFETY  
OVER ACCORDIAN GATES.**

**CAN BE MANUALLY  
OPERATED OR DRIVEN WITH A  
POWER GATE OPERATOR.**

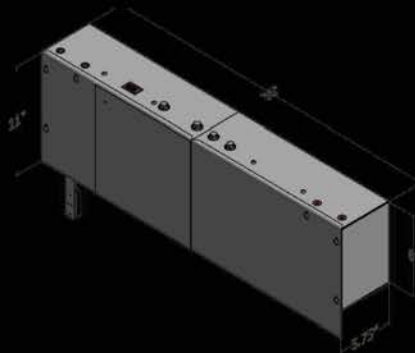
**A LARGE SELECTION OF  
PANEL INSERTS TO  
CUSTOMIZE YOUR CAB.**

ANODIZED CLEAR ALUMINUM

ANODIZED BRONZE

ANODIZED

BLACK



\*RMEP POWER GATE OPERATOR

**ROCKY MOUNTAIN ELEVATOR PRODUCT'S WRAP AROUND GATE PRO-  
VIDES YOU WITH A FULL 34" CLEAR OPENING ON A 36" INTERIOR CAB,  
THE LARGEST CLEAR OPENING IN THE INDUSTRY FOR THE SMALLEST  
CABS. OPENS UP TO 36" ON CAB BASES 40.5" WIDE OR LARGER.**

PANEL FRAMES ARE MADE FROM EXTRUDED ALUMINUM WITH AN ANODIZED FINISH AND HIDDEN HARDWARE FOR A SLEEK DESIGN.



## LAMINATES



## MESH AND ACRYLIC

LIGHT WEIGHT  
WOVEN  
WIRE MESH



CLEAR  
ACRYLIC

BRONZE TINT  
ACRYLIC

## VENEERS



MATCH YOUR CAB WITH A LAMINATE OR A WOOD VENEER, OR ACCENT IT WITH A TRANSPARENT ACRYLIC. THE DECORATIVE MESH CAN BE USED ALONE OR WITH THE ACRYLIC FOR A MORE SOPHISTICATED LOOK.

# LIGHTS AND HANDRAILS

TWO 3" LED LIGHTS ARE STANDARD. AVAILABLE IN; BLACK, WHITE, STAINLESS, AND OIL RUBBED BRONZE. UPGRADE TO FOUR LIGHTS FOR A BRIGHTER CAB.



FLAT METAL HANDRAIL:  
AVAILABLE IN STAINLESS  
STEEL, BLACK, AND OIL  
RUBBED BRONZE.

FLAT SOLID WOOD HANDRAIL AVAILABLE IN THE WOOD  
CHOICE OF YOUR CAB. BIRCH AND OAK ARE STANDARD.  
UPGRADES TO MAPLE, CHERRY, MAHOGANY, AND  
WALNUT WITH YOUR UPGRADED WOOD CAB.



# DOOR LOCKS

ROCKY MOUNTAIN ELEVATOR PRODUCTS EXCLUSIVELY  
DESIGNED SMARTLOCK IS THE INDUSTRIES SMALLEST  
AND MOST SPACE SAVING LOCK.



\* SHOWN WITH STANDARD IVORY

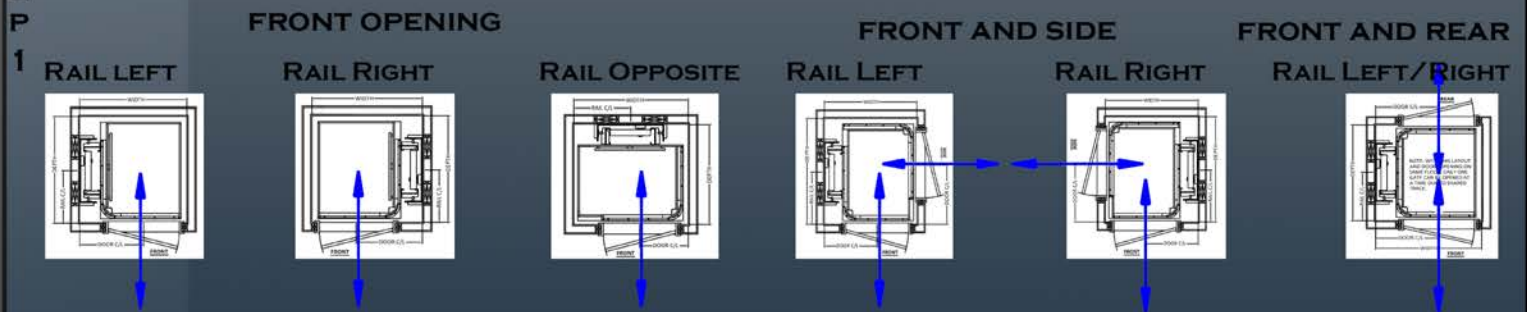
DESIGNED TO MEET THE NEWEST SAFETY  
STANDARDS. WITH NO PLASTIC EXTERIOR  
TO WEAR OR AGE, THE SMARTLOCK'S STEEL  
CONSTRUCTION WILL WITHSTAND YEARS OF  
USE AND STILL LOOK GREAT.



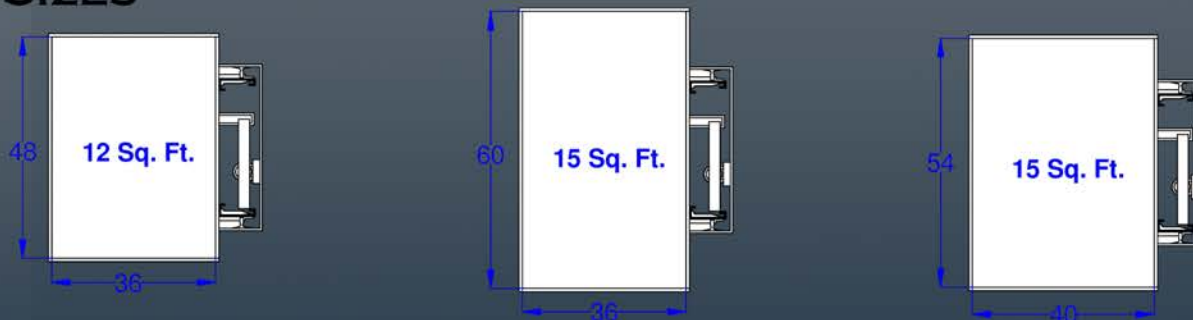
# STEPS TO PLANNING YOUR HOME ELEVATOR

1. DETERMINE THE CAR LAYOUT THAT BEST FITS YOUR DESIGN: FRONT OPENING, FRONT AND REAR OPENINGS, FRONT AND SIDE OPENINGS, FRONT AND SIDE OPENINGS.
2. DETERMINE YOUR CAR SIZE: STANDARD, 36"x48", 36"x60", 40" X 54".
3. DETERMINE SHAFTWAY DOOR SWING.
4. DETERMINE WHAT OVERHEAD SPACE YOU CAN PROVIDE.
5. DETERMINE MACHINE ROOM SPACE AND LOCATION YOU CAN PROVIDE.
6. BASED ON THE ABOVE INFORMATION, DETERMINE THE BEST SUITED DRIVE SYSTEM.
7. OBTAIN AND USE SITE SPECIFIC DRAWINGS WHILE BUILDING HOISTWAY, DOORWAYS, MACHINE ROOM, AND ANY OTHER CONSTRUCTION RELATED TO THE ELEVATOR. FORWARD ALL NECESSARY DOCUMENTS TO CONTRACTOR/BUILDER, ARCHITECT AND STRUCTURAL ENGINEERS.
8. COORDINATE WITH YOUR DEALER TO GO OVER YOUR OPTIONS, INTERIOR FINISHES AND UP-GRADES.

## STEP 1 STANDARD CAR LAYOUTS



## STEP 2 CAR SIZES



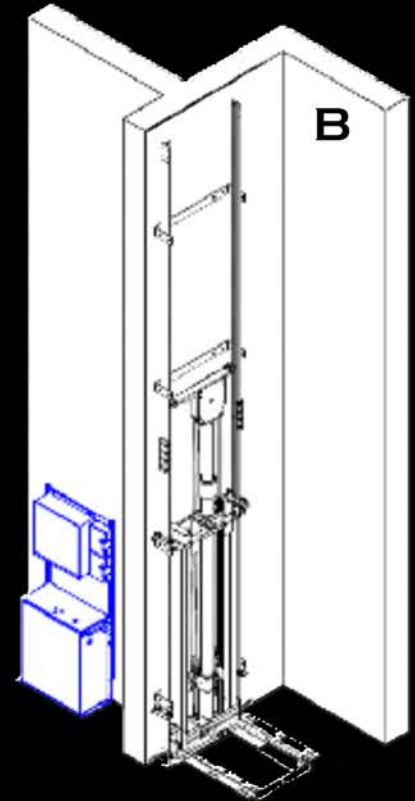
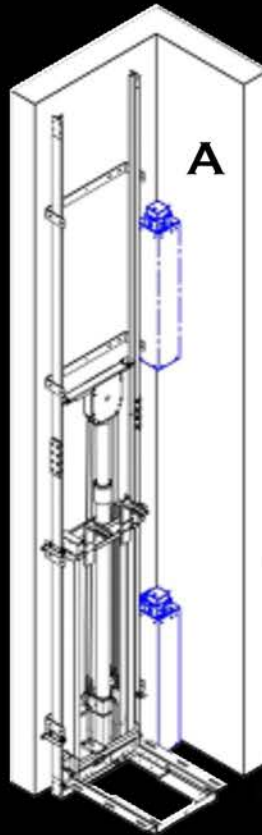


# DRIVE SYSTEM OVERVIEW

ROCKY MOUNTAIN ELEVATOR PRODUCTS OFFERS YOU THE CHOICE OF TWO CONFIGURATIONS IN BOTH THE ROPED HYDRAULIC AND WINDING DRUM, GIVING YOU THE FLEXIBILITY TO SELECT THE BEST DRIVE SYSTEM FOR YOUR APPLICATION.

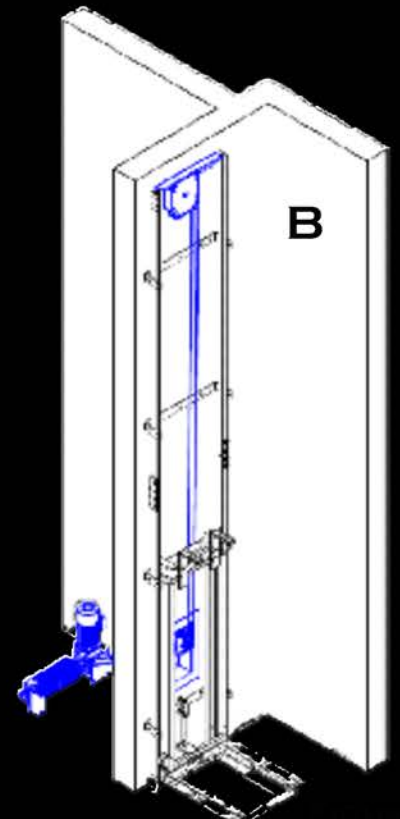
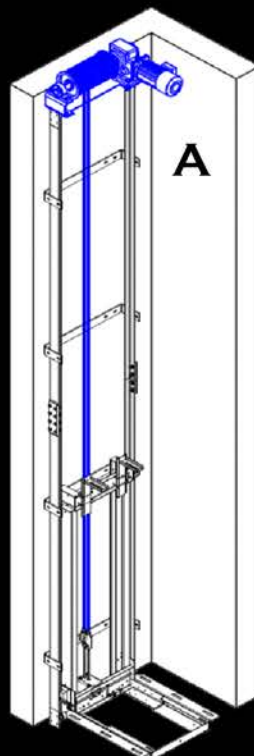
## ROPED HYDRAULIC:

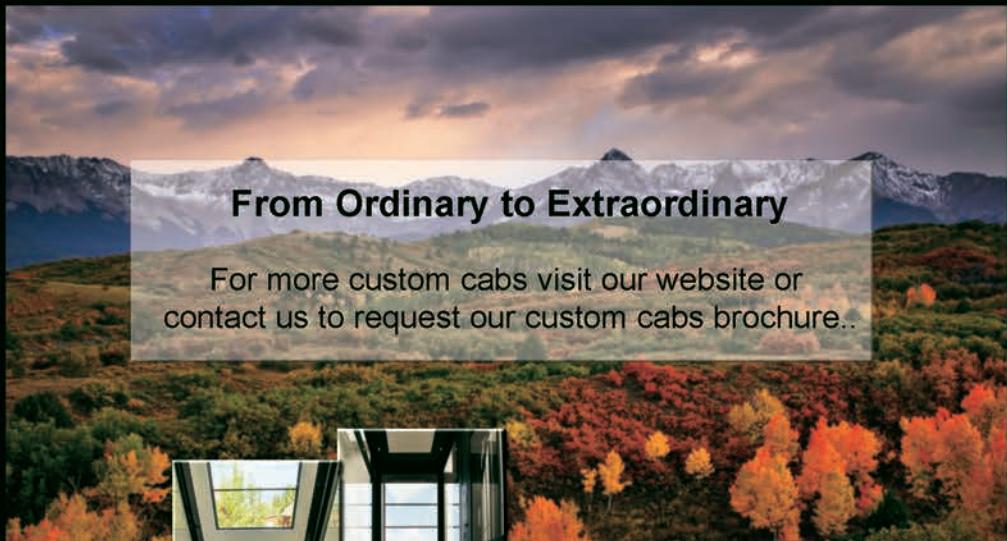
- ✓ 1:2 ROPED HYDRAULIC UNIT UTILIZING TWO (2) 3/8" WIRE ROPES RUNNING OVER A SHEAVE MOUNTED ATOP A 70 OR 80MM DIAMETER HYDRAULIC CYLINDER
- ✓ 950 LBS. CAPACITY (750 LBS. OPTIONAL)
- ✓ SMOOTH RIDE TECHNOLOGY USING THE INDUSTRY'S ONLY SELF-ADJUSTING RIDE
- ✓ MRLH - MACHINE ROOM-LESS HYDRAULIC (FIGURE A) OR REMOTE MACHINE ROOM UP TO 40' AWAY (FIGURE B)
- ✓ SUBMERGED MOTOR FOR QUIET OPERATION
- ✓ FLOOR SPECIFIC BATTERY DESCENT, STANDARD
- ✓ 40 FPM TRAVEL SPEED (INCREASED SPEED REQUIRES A VARIANCE)
- ✓ SLACK CABLE SAFETY DEVICE
- ✓ 230 V 1 PHASE 30 AMP WITH NEUTRAL AND GROUND (4 WIRES)



## WINDING DRUM:

- ✓ INVERTER CONTROLLED VARIABLE SPEED WINDING DRUM UNIT UTILIZING TWO (2) 3/8" STEEL CORE WIRE ROPES AS SUSPENSION MEANS
- ✓ 950 LBS. CAPACITY STANDARD.
- ✓ MRLD - MACHINE ROOM-LESS DRUM (REQUIRES OVERHEAD ACCESS) (FIGURE A)
- ✓ STANDARD DRUM BEHIND THE RAIL (FIGURE B)
- ✓ VARIABLE SPEED FOR A QUALITY RIDE
- ✓ FLOOR SPECIFIC BATTERY DESCENT (OPTIONAL)
- ✓ 40 FPM TRAVEL SPEED
- ✓ 230V 1 PHASE 30 AMP WITH NEUTRAL AND GROUND (4 WIRES)
- ✓ SLACK CABLE SAFETY DEVICE





## From Ordinary to Extraordinary

For more custom cabs visit our website or contact us to request our custom cabs brochure..



**ROCKY MOUNTAIN**  
**ELEVATOR PRODUCTS**  
LIVE LIFE ELEVATED

### Contact Information

Rocky Mountain Elevator Products

416 29 Road Grand Junction, Colorado 81504

(970) 242-2544 During Normal Business Hours. (8am-5pm MST)

[www.RockyMountainElevatorProducts.com](http://www.RockyMountainElevatorProducts.com)