



**ROCKY MOUNTAIN
ELEVATOR PRODUCTS**
LIVE LIFE ELEVATED

RMEP RESIDENTIAL SPACE GUARD

INSTALLATION



Contents

| | |
|---------------------------|---|
| INTRODUCTION..... | 1 |
| OPERATION..... | 1 |
| TOOLS..... | 1 |
| PARTS IDENTIFICATION..... | 2 |
| INSTALLATION..... | 2 |

INTRODUCTION

The RMEP Residential Space Guard is an inexpensive one size fits most solution to safeguard the 'Dead Space' between the hoistway door and gate. The two piece design is expandable to maximize the area covered on almost any size hoistway swing door.

OPERATION

The unit operates by filling the 'dead space' between the hoistway door and the cab gate, preventing the closure of the hoistway door if there is an obstruction or person in the 'dead space'.

TOOLS

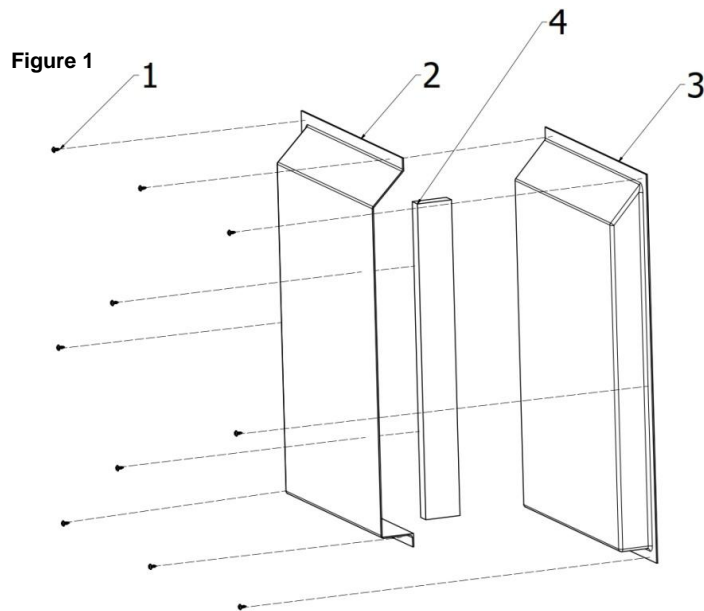
- Screwdriver set
- Tape measure
- Pencil
- Drill
- Drill bits (pre-drill holes)

WARNING!

This installation requires that the hoist way door is open. Take care that the car is at the level you are working at or that the open door is always monitored and never left unattended.

PARTS IDENTIFICATION

1. 1/2" Wood Screw, 10 pieces
2. Left Space Guard Panel
3. Right Space Guard Panel
4. Wood Spacer



INSTALLATION

1. Measure the width between the door stops in the door jamb.
2. Place the panels face down on a smooth work surface.
3. Set the width of the panels @ 1/2" narrower than the width between the door stops. This will give you 1/4" clearance on each side.
4. Ensure the width is the same top to bottom, then drive a self-tapping screw through the center of the top and bottom flanges in the centerline of the assembly.
5. At approximately 9" and 12" from the bottom edge, drive two (2) self-tapping screws through both covers in the centerline. Back the screws out again.
6. Flip the Space Guard over and place the wood spacer under the centerline. Drive the self tapping screws into the wood spacer.
7. Attach the Space Guard to the door with the self-tapping screws, with lower edge about 1/4" up from the bottom of the door. Using self-tapping screws at all four corners of the flange and in the center of the flange

Figure 2

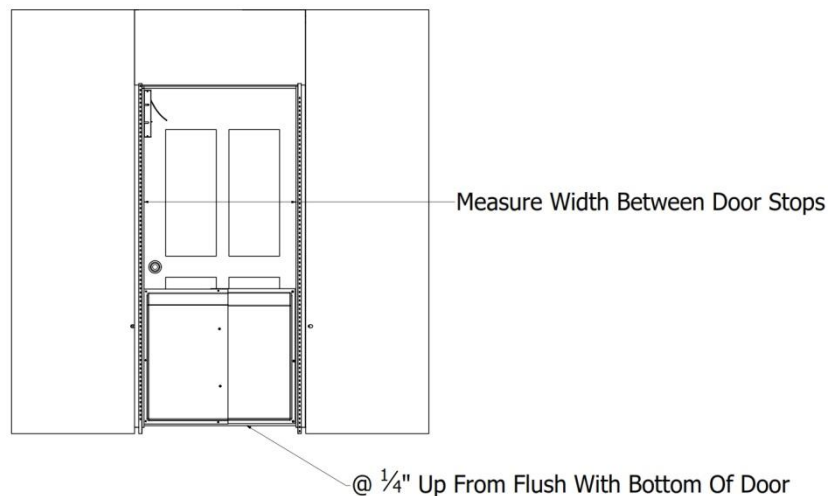


Figure 3

Final Install with door closed (Inside Hoistway View)



For assistance, please contact Rocky Mountain Elevator Products at: 1-866-482-4472 during normal business hours. (8am-5pm MST)